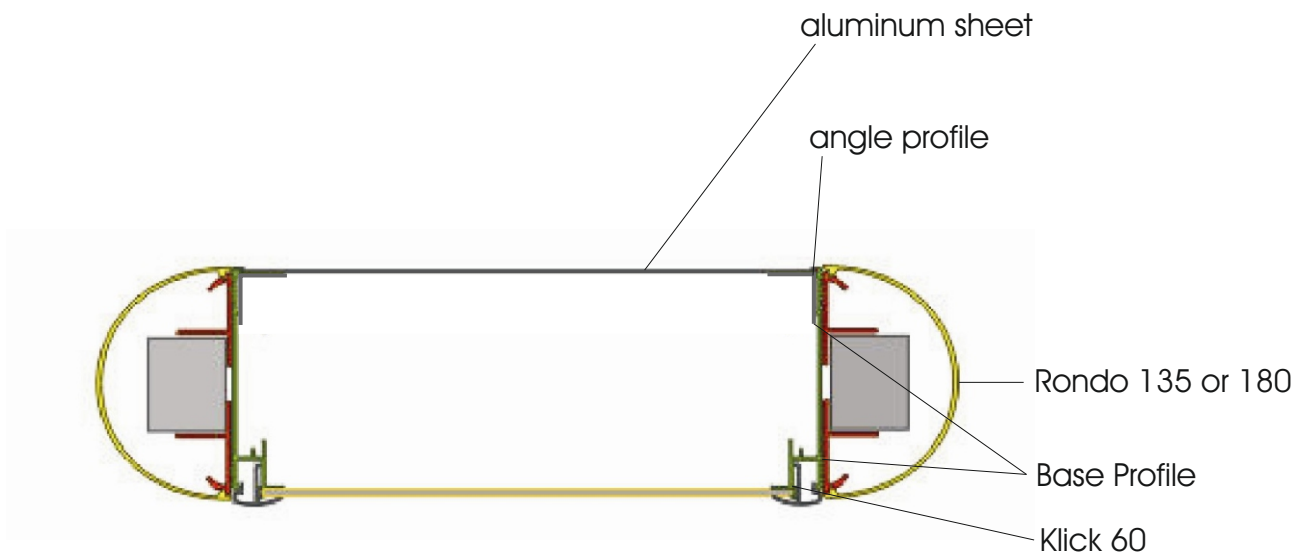


## **System PRO 2000 / Rondo with lightbox frame Klick 60**



To get access to the light sources, remove the cover Rondo and either open the Klick profile and remove the pane or remove the angle profiles and the connected plate.